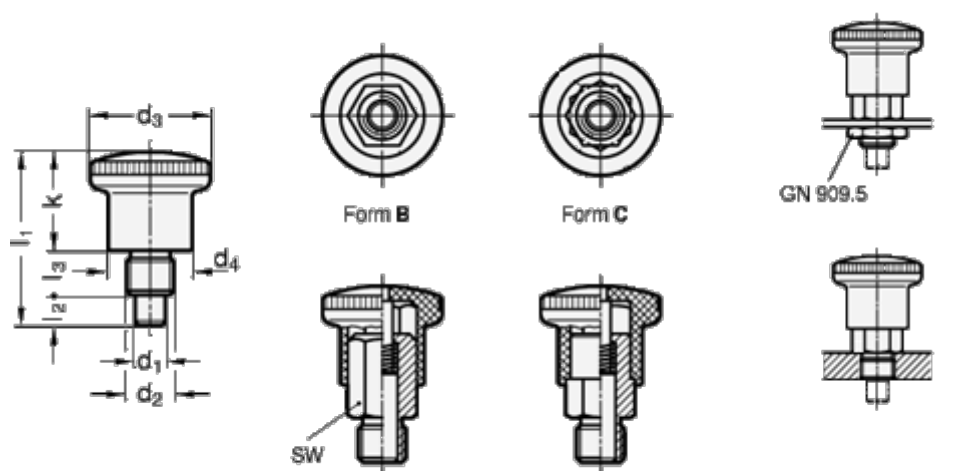


Article number: 2082267M1215B

Description: E+G Mini indexing plunger
with/without rest position, GN 822.6-7-M12x1,5-B

Measures



d1 = 7
d2 = M12x1,5
d3 = 28
d4 = 20
k = 23.5
l1 = 40.5
l2 = 7
l3 = 10

Spring load initial N = 10